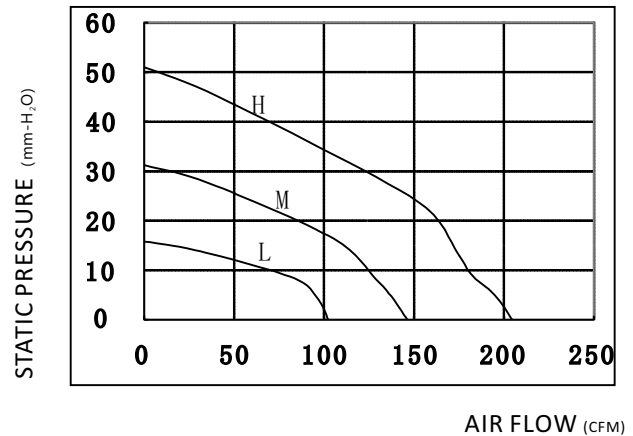


MODEL:RA-ECC133



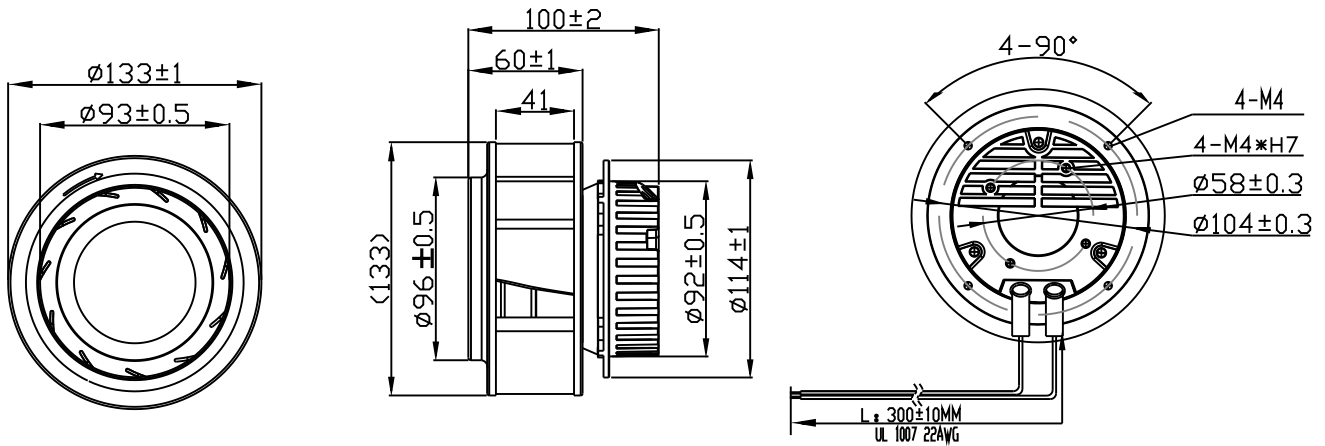
AIR FLOW (CFM)

风扇参数表

(L:高转速; M:中转速; H:高转速)

Voltage (VAC)	Model	Current	Power	Speed	Max air-flow		Max Pstatic	Noise
		A	W	RPM	CMH	CFM	mm-H ₂ O	DbA
90-264	L	0.12	15.00	2600	173.30	102.00	15.70	55
	M	0.26	30.00	3600	248.05	146.00	31.24	64
	H	0.39	56.00	4600	346.60	204.00	51.00	70

DRAWING



GENERAL DESCRIPTION

1. BEARING TYPE: BALL BEARING
2. IMPELLER AND BASE MATERIAL: PA66 / ADC12
3. MOTOR TYPE: E-BLDC (AC TO DC)
4. INSULATION GRADE: E
5. INSULATION RESISTANCE: 10M/500VDC
6. DIELECTRIC STRENGTH: 2MINIMUM/1500AVC-5mA
7. AMBIENT HUMIDITY: RH20%-RH75%
8. STORAGE TEMPERATURE: -20°C ~ +75°C
9. WORKING TEMPERATURE: -10°C ~ +70°C
10. SERVICE LIFE: 50000 HRS

CUSTOMIZATION FUCTIONS

SPEED CONTROL

- ▶ PWM; Vsp; SOFT-START; CLOSED-LOOP; GAPCYCLE RUNNING

OUT SIGNAL

- ▶ FG; RD (EXCEED THE MIN. SPEED SETTINGS)

PROTECTION

- ▶ LOCKED; WATER-PROOF; DUSTY-PROOF