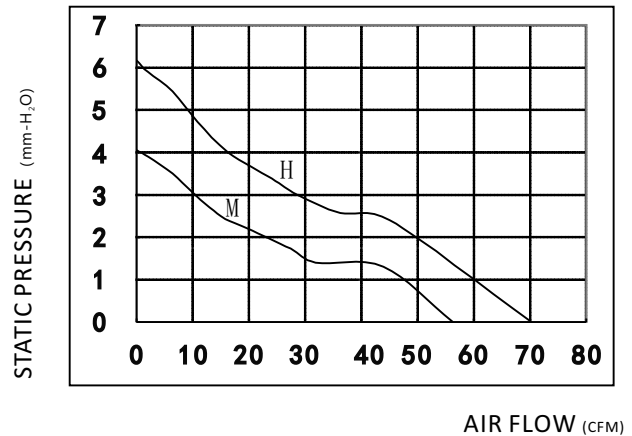


### MODEL:RA-EC9225

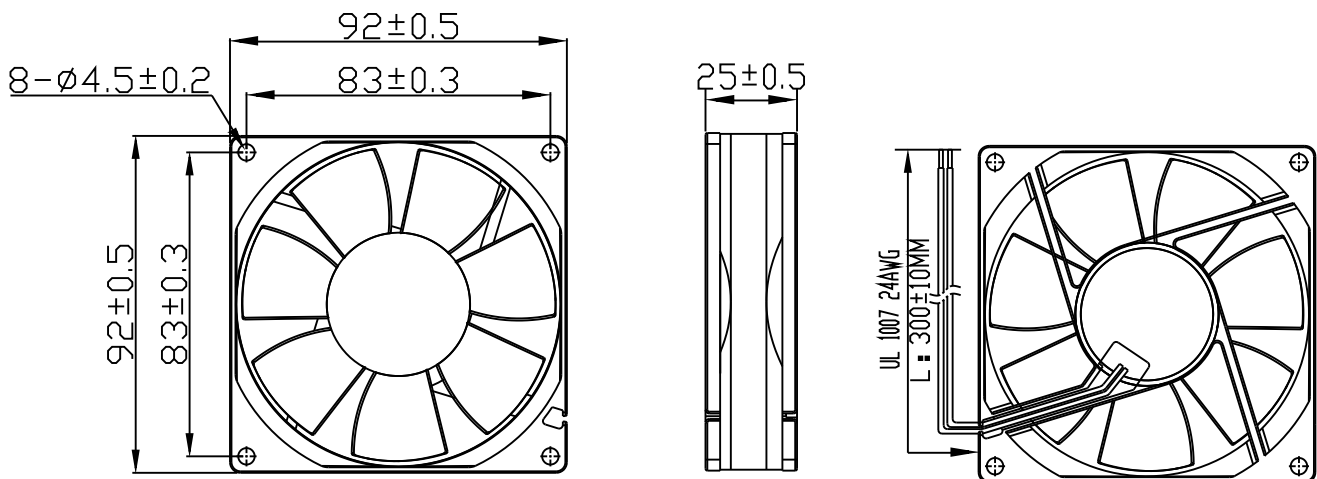


### SPECIFICATION

(L: Low -speed; M: Middle - speed; H: High -speed; U: Ultra high-speed; D: Ultra low-speed)

Voltage (VAC)	Model	Current	Power	Speed	Max air-flow		Max Pstatic	Noise
		A	W	RPM	CMH	CFM	mm-H <sub>2</sub> O	DbA
90-264	H	0.04	3.0	3000	95.65	56.3	4.1	37
	M	0.08	4.80	3800	119.10	70.10	6.20	42

### DRAWING



### GENERAL DESCRIPTION

- 1.BEARING TYPE: BALL BEARING
- 2.IMPELLER AND FRAM MATERIAL: PBT
- 3.MOTOR TYPE: E-BLDC (AC TO DC)
- 4.INSULATION GRADE: E
- 5.INSULATION RESISTANCE: 10M/500VDC
- 6.DIELECTRIC STRENGTH: 2MINIMUM/1500AVC-5mA
- 7.AMBIENT HUMIDITY: RH20%-RH75%
- 8.STORAGE TEMPERATURE: -20°C ~ +75°C
- 9.WORKING TEMPERATURE:-10°C ~ +70°
- 10.SERVICE LIFE:50000 HRS

### CUSTOMIZATION FUCTIONS

#### SPEED CONTROL

- ➔ PWM; Vsp; SOFT-START; CLOSED-LOOP; GAPCYCLE RUNNING

#### OUT SIGNAL

- ➔ FG; RD (EXCEED THE MIN. SPEED SETTINGS)

#### PROTECTION

- ➔ LOCKED; WATER-PROOF;DUSTY-PROOF