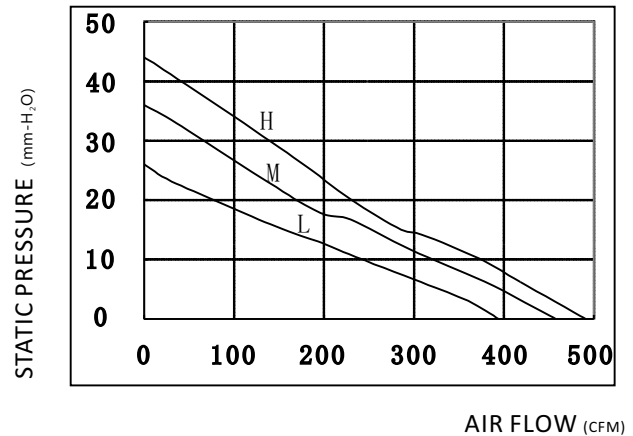


MODEL:RA-DCC250

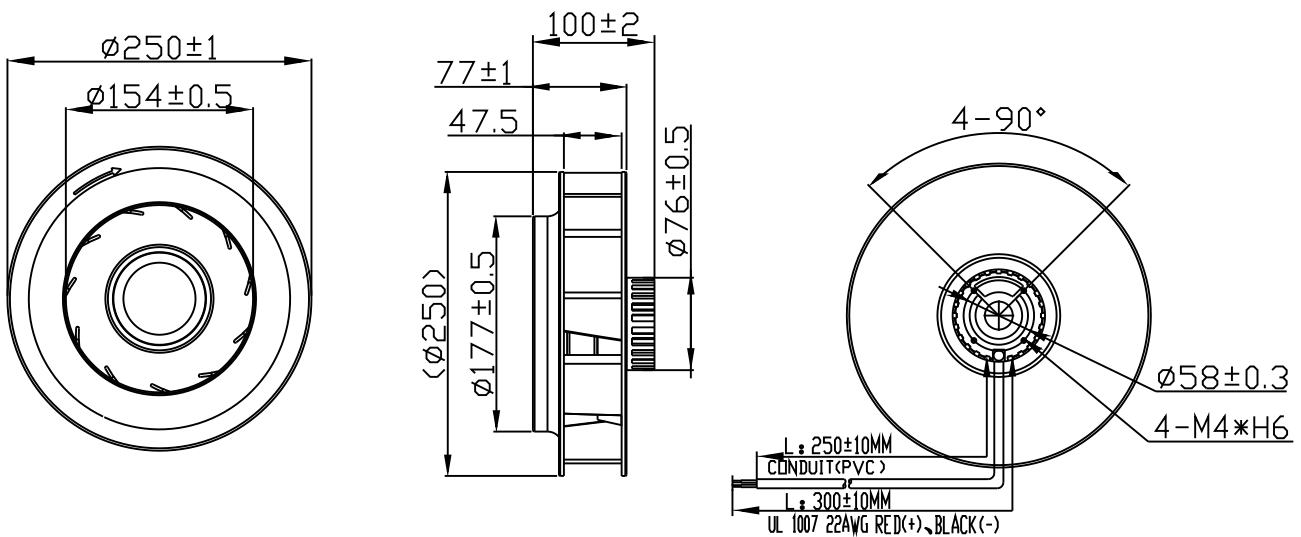


SPECIFICATION

(L: Low -speed; M: Middle - speed; H: High -speed; U: Ultra high-speed; D: Ultra low-speed)

Voltage (VDC)	Model	Current	Power	Speed	Max air-flow		Max Pstatic	Noise
		A	W	RPM	CMH	CFM	mm-H ₂ O	DbA
24	L	1.20	28.80	1700	667.71	393.00	26.00	62
	M	2.00	48.00	2000	776.44	457.00	36.00	67
	H	2.65	63.60	2200	832.51	490.00	44.00	69

DRAWING



GENERAL DESCRIPTION

1. BEARING TYPE: BALL BEARING
2. IMPELLER AND BASE MATERIAL: Pa66 / ADC12
3. MOTOR TYPE: BLDC
4. INSULATION GRADE: E
5. INSULATION RESISTANCE: 10M/500VDC
6. DIELECTRIC STRENGTH: 2MINIMUM/500AVC-5mA
7. AMBIENT HUMIDITY: RH20%-RH75%
8. STORAGE TEMPERATURE: -20°C ~ +75°C
9. WORKING TEMPERATURE: -10°C ~ +70°C
10. SERVICE LIFE: 50000 HRS

CUSTOMIZATION FUCTIONS

SPEED CONTROL

- PWM; Vsp; SOFT-START; CLOSED-LOOP; GAPCYCLE RUNNING

OUT SIGNAL

- FG; RD (EXCEED THE MIN. SPEED SETTINGS)

PROTECTION

- LOCKED; WATER-PROOF; DUSTY-PROOF