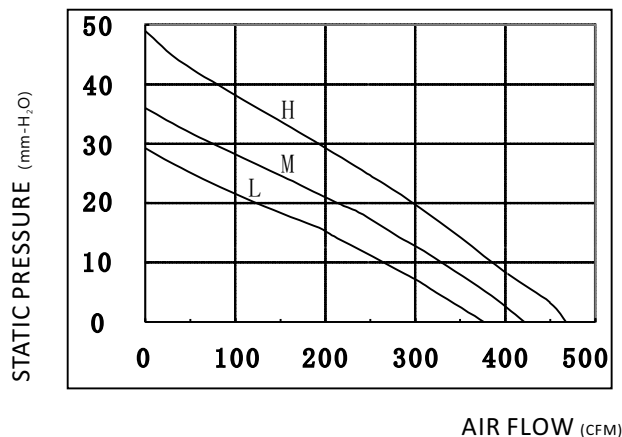


### MODEL:RA-DCC220

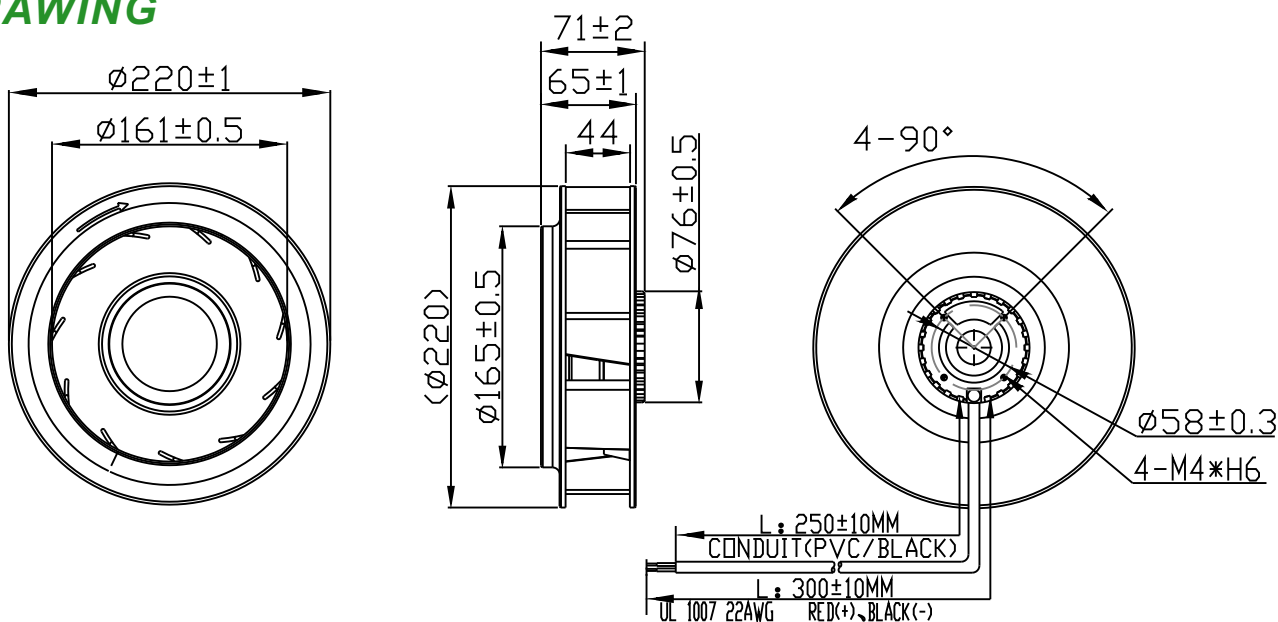


### SPECIFICATION

(L: Low -speed; M: Middle - speed; H: High -speed; U: Ultra high-speed; D: Ultra low-speed)

| Voltage (VDC) | Model | Current | Power | Speed | Max air-flow |        | Max Pstatic         | Noise |
|---------------|-------|---------|-------|-------|--------------|--------|---------------------|-------|
|               |       | A       | W     | RPM   | CMH          | CFM    | mm-H <sub>2</sub> O | DbA   |
| 24            | L     | 1.55    | 37.20 | 2000  | 638.82       | 376.00 | 29.50               | 63    |
|               | M     | 2.25    | 54.00 | 2300  | 715.28       | 421.00 | 36.00               | 67    |
|               | H     | 3.15    | 75.60 | 2600  | 793.43       | 467.00 | 49.00               | 71    |

### DRAWING



### GENERAL DESCRIPTION

1. BEARING TYPE: BALL BEARING
2. IMPELLER AND BASE MATERIAL: Pa66 / ADC12
3. MOTOR TYPE: BLDC
4. INSULATION GRADE: E
5. INSULATION RESISTANCE: 10M/500VDC
6. DIELECTRIC STRENGTH: 2MINIMUM/500AVC-5mA
7. AMBIENT HUMIDITY: RH20%-RH75%
8. STORAGE TEMPERATURE: -20°C ~ +75°C
9. WORKING TEMPERATURE: -10°C ~ +70°C
10. SERVICE LIFE: 50000 HRS

### CUSTOMIZATION FUCTIONS

#### SPEED CONTROL

- PWM; Vsp; SOFT-START; CLOSED-LOOP; GAPCYCLE RUNNING

#### OUT SIGNAL

- FG; RD (EXCEED THE MIN. SPEED SETTINGS)

#### PROTECTION

- LOCKED; WATER-PROOF; DUSTY-PROOF