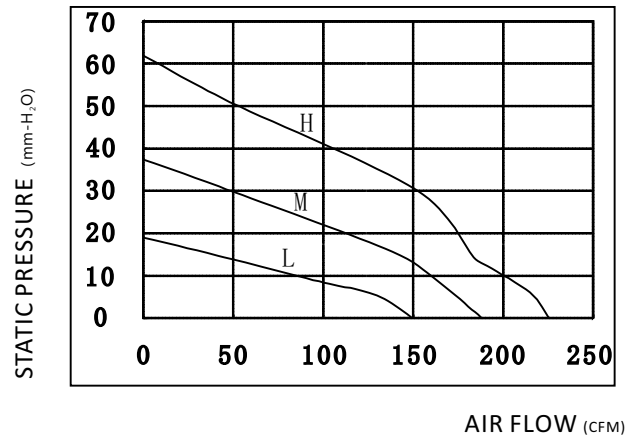


### MODEL:RA-DCC133

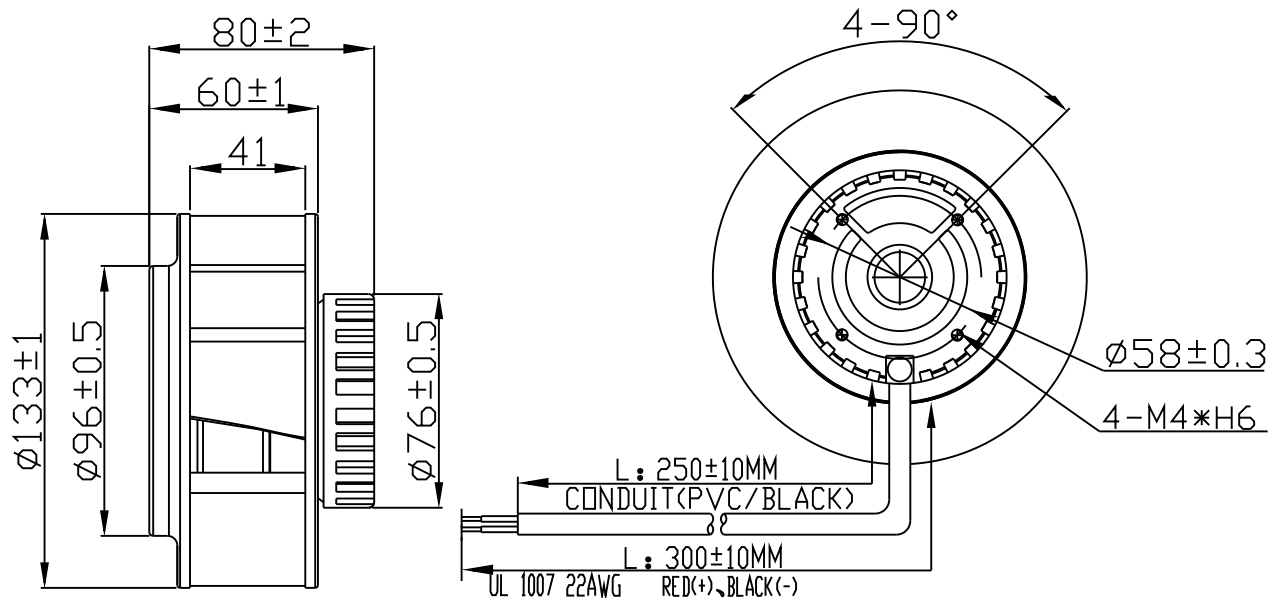


### SPECIFICATION

(L: Low -speed; M: Middle - speed; H: High -speed; U: Ultra high-speed; D: Ultra low-speed)

Voltage (VDC)	Model	Current	Power	Speed	Max air-flow		Max Pstatic	Noise
		A	W	RPM	CMH	CFM	mm-H <sub>2</sub> O	DbA
24	L	0.50	12.00	2600	254.17	149.60	18.92	56
	M	1.05	25.20	3600	319.58	188.10	37.40	64
	H	2.10	50.40	4600	383.12	225.50	61.90	71

### DRAWING



### GENERAL DESCRIPTION

1. BEARING TYPE: BALL BEARING
2. IMPELLER AND BASE MATERIAL: Pa66 / ADC12
3. MOTOR TYPE: BLDC
4. INSULATION GRADE: E
5. INSULATION RESISTANCE: 10M/500VDC
6. DIELECTRIC STRENGTH: 2MINIMUM/500AVC-5mA
7. AMBIENT HUMIDITY: RH20%-RH75%
8. STORAGE TEMPERATURE: -20°C ~ +75°C
9. WORKING TEMPERATURE: -10°C ~ +70°
10. SERVICE LIFE: 50000 HRS

### CUSTOMIZATION FUCTIONS

#### SPEED CONTROL

- PWM; Vsp; SOFT-START; CLOSED-LOOP; GAPCYCLE RUNNING

#### OUT SIGNAL

- FG; RD (EXCEED THE MIN. SPEED SETTINGS)

#### PROTECTION

- LOCKED; WATER-PROOF; DUSTY-PROOF