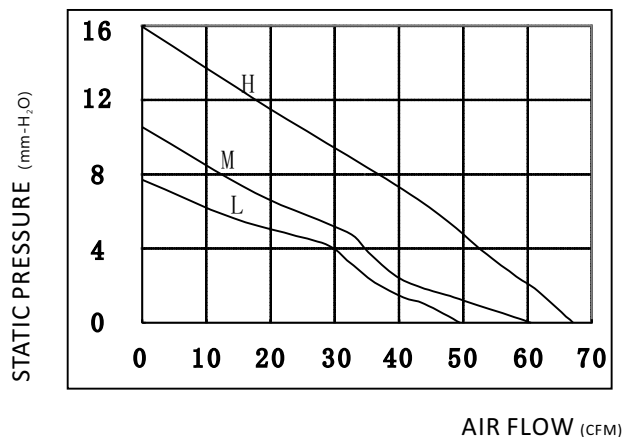


MODEL:RA-DCC12025

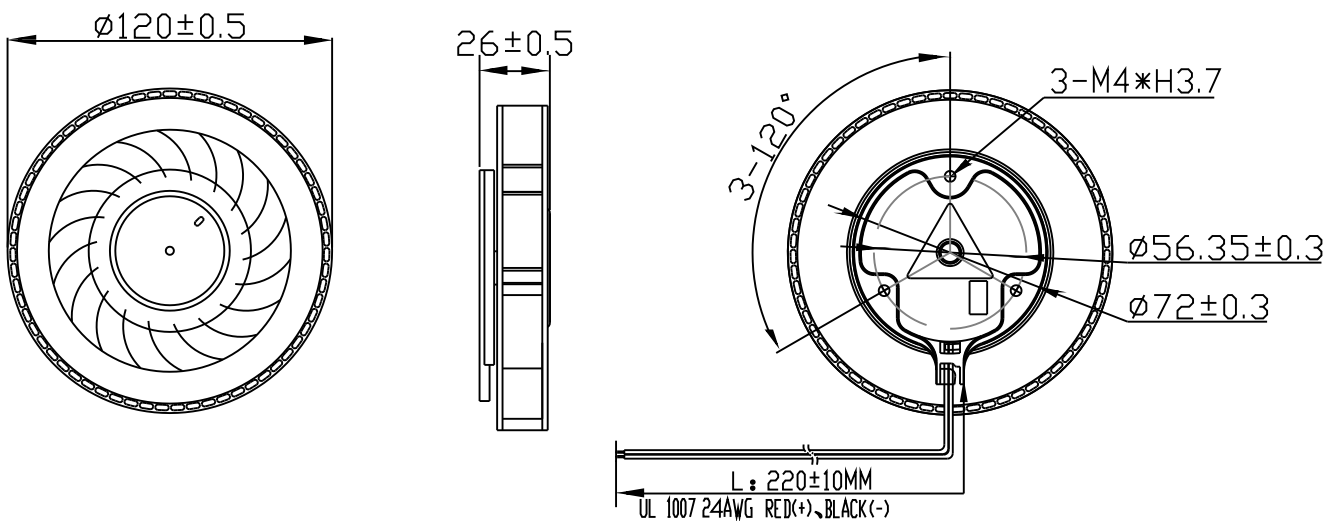


SPECIFICATION

(L: Low -speed; M: Middle - speed; H: High -speed; U: Ultra high-speed; D: Ultra low-speed)

Voltage (VDC)	Model	Current	Power	Speed	Max air-flow		Max Pstatic	Noise
		A	W	RPM	CMH	CFM	mm-H ₂ O	DbA
12	L	0.22	2.64	2000	84.10	49.50	7.7	43
	M	0.35	4.2	2500	102.79	60.50	10.5	50
	H	0.60	7.2	3000	113.83	67.00	15.95	54
24	L	0.13	3.12	2000	84.10	49.50	7.7	43
	M	0.18	4.32	2500	102.79	60.50	10.5	50
	H	0.3	7.2	3000	113.83	67.00	15.95	54

DRAWING



GENERAL DESCRIPTION

1. BEARING TYPE: BALL BEARING
2. IMPELLER AND BASE MATERIAL: LPC
3. MOTOR TYPE: BLDC
4. INSULATION GRADE: E
5. INSULATION RESISTANCE: 10M/500VDC
6. DIELECTRIC STRENGTH: 2MINIMUM/500AVC-5mA
7. AMBIENT HUMIDITY: RH20%-RH75%
8. STORAGE TEMPERATURE: -20°C ~ +75°C
9. WORKING TEMPERATURE: -10°C ~ +70°
10. SERVICE LIFE: 50000 HRS

CUSTOMIZATION FUCTIONS

SPEED CONTROL

- ➔ PWM; Vsp; SOFT-START; CLOSED-LOOP; GAPCYCLE RUNNING

OUT SIGNAL

- ➔ FG; RD (EXCEED THE MIN. SPEED SETTINGS)

PROTECTION

- ➔ LOCKED; WATER-PROOF; DUSTY-PROOF