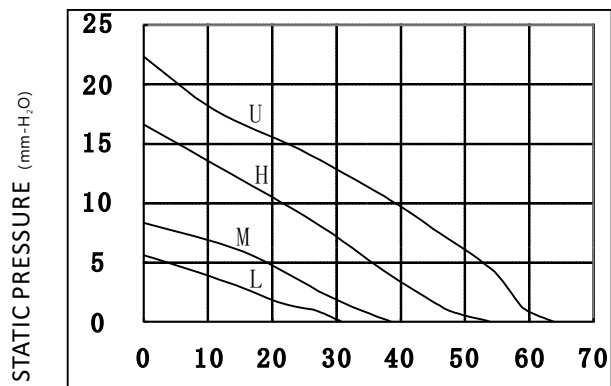


### MODEL:RA-DCC10025



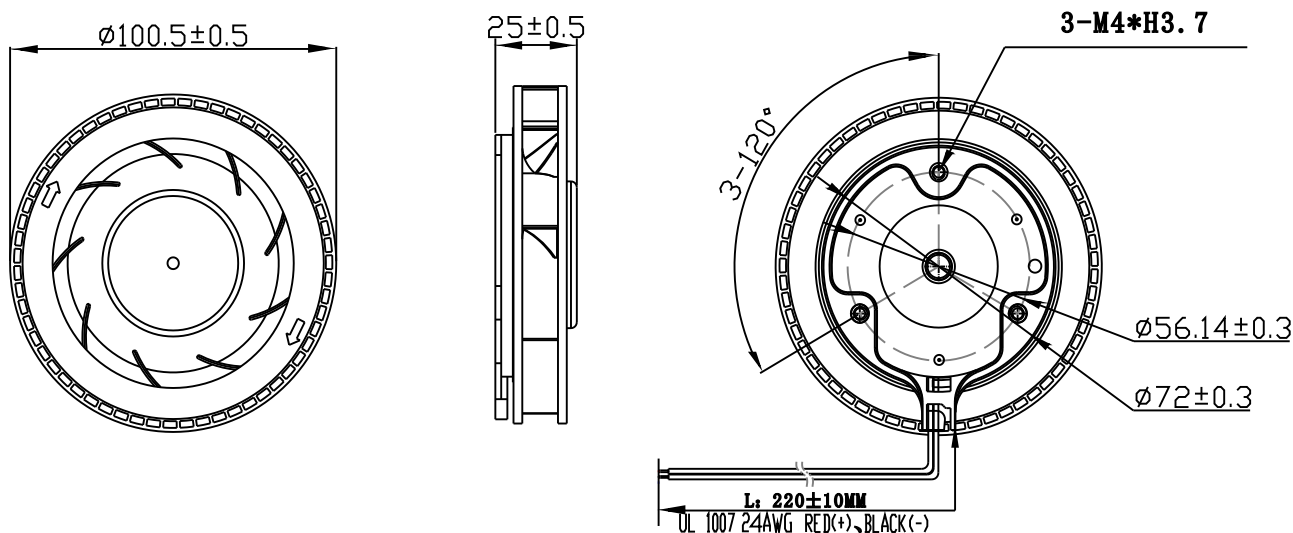
AIR FLOW (CFM)

### SPECIFICATION

(L: Low -speed; M: Middle - speed; H: High -speed; U: Ultra high-speed; D: Ultra low-speed)

Voltage (VDC)	Modle	Current	Power	Speed	Max Air-flow		Max P <sub>STATIC</sub>	Noise
		A	W	RPM	CMH	CFM	mm-H <sub>2</sub> O	dBA
12	L	0.12	1.44	2000	52.33	30.8	5.61	32
	M	0.17	2.04	3000	65.41	38.5	8.36	43
	H	0.60	7.20	4000	91.58	53.9	16.61	50
24	L	0.07	1.68	2000	52.33	30.8	5.61	32
	M	0.10	2.40	3000	65.41	38.5	8.36	43
	H	0.30	7.20	4000	91.58	53.9	16.61	50
16.5	U	0.44	7.26	4800	108.40	63.8	20.3	55

### DRAWING



### GENERAL DESCRIPTION

1. BEARING TYPE: BALL BEARING
2. IMPELLER AND BASE MATERIAL: LPC
3. MOTOR TYPE: BLDC
4. INSULATION GRADE: E
5. INSULATION RESISTANCE: 10M/500VDC
6. DIELECTRIC STRENGTH: 2MINIMUM/500AVC-5mA
7. AMBIENT HUMIDITY: RH20%-RH75%
8. STORAGE TEMPERATURE: -20°C ~ +75°C
9. WORKING TEMPERATURE: -10°C ~ +70°
10. SERVICE LIFE: 50000 HRS

### CUSTOMIZATION FUCTIONS

#### SPEED CONTROL

- PWM; Vsp; SOFT-START; CLOSED-LOOP; GAPCYCLE RUNNING

#### OUT SIGNAL

- FG; RD (EXCEED THE MIN. SPEED SETTINGS)

#### PROTECTION

- LOCKED; WATER-PROOF; DUSTY-PROOF