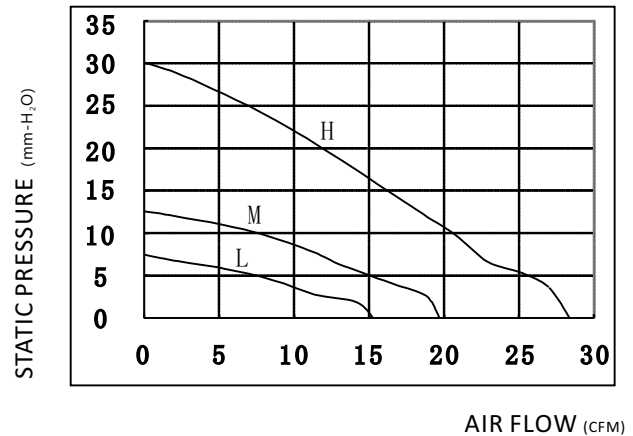


### MODEL: RA-DB9733A



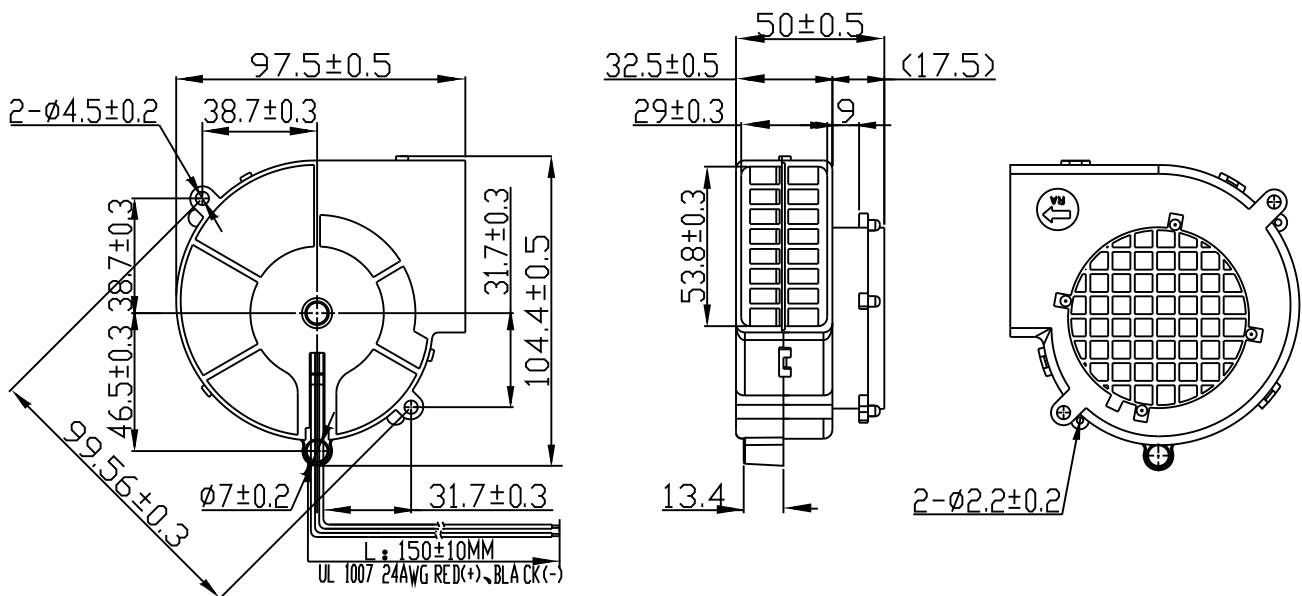
AIR FLOW (CFM)

## SPECIFICATION

(L: Low -speed; M: Middle - speed; H: High -speed; U: Ultra high-speed; D: Ultra low-speed)

| Voltage (VDC) | Model | Current | Power | Speed | Max air-flow |       | Max Pstatic         | Noise |
|---------------|-------|---------|-------|-------|--------------|-------|---------------------|-------|
|               |       | A       | W     | RPM   | CMH          | CFM   | mm-H <sub>2</sub> O | DbA   |
| 12            | L     | 0.17    | 2.04  | 2200  | 25.99        | 15.30 | 7.40                | 39    |
|               | M     | 0.32    | 3.84  | 3000  | 33.47        | 19.70 | 12.50               | 47    |
|               | H     | 0.80    | 9.60  | 4000  | 48.25        | 28.40 | 30.10               | 54    |
| 24            | L     | 0.09    | 2.16  | 2200  | 25.99        | 15.30 | 7.40                | 39    |
|               | M     | 0.16    | 3.84  | 3000  | 33.47        | 19.70 | 12.50               | 47    |
|               | H     | 0.40    | 9.60  | 4000  | 48.25        | 28.40 | 30.10               | 54    |

## DRAWING



## GENERAL DESCRIPTION

1. BEARING TYPE: BALL BEARING OR SLEEVE
2. IMPELLER AND SHELL MATERIAL: PBT / PC
3. MOTOR TYPE: BLDC
4. INSULATION GRADE: E
5. INSULATION RESISTANCE: 10M/500VDC
6. DIELECTRIC STRENGTH: 2MINIMUM/500AVC-5mA
7. AMBIENT HUMIDITY: RH20%-RH75%
8. STORAGE TEMPERATURE: -20°C ~ +75°C
9. WORKING TEMPERATURE: -10°C ~ +70°C
10. SERVICE LIFE: 50000 HRS

## CUSTOMIZATION FUCTIONS

### SPEED CONTROL

- PWM; Vsp; SOFT-START; CLOSED-LOOP; GAPCYCLE RUNNING

### OUT SIGNAL

- FG; RD (EXCEED THE MIN. SPEED SETTINGS)

### PROTECTION

- LOCKED; WATER-PROOF; DUSTY-PROOF