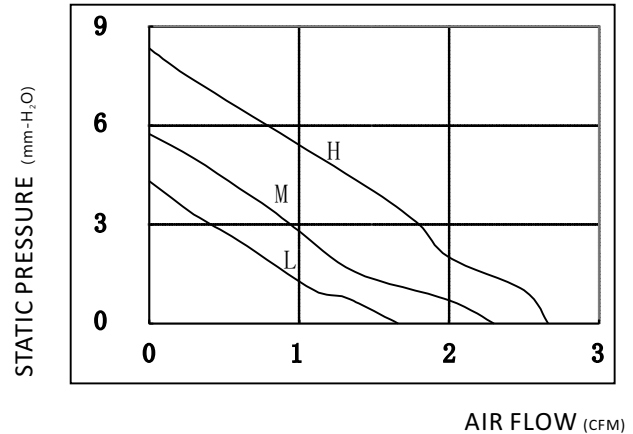


### MODEL:RA-DB4010

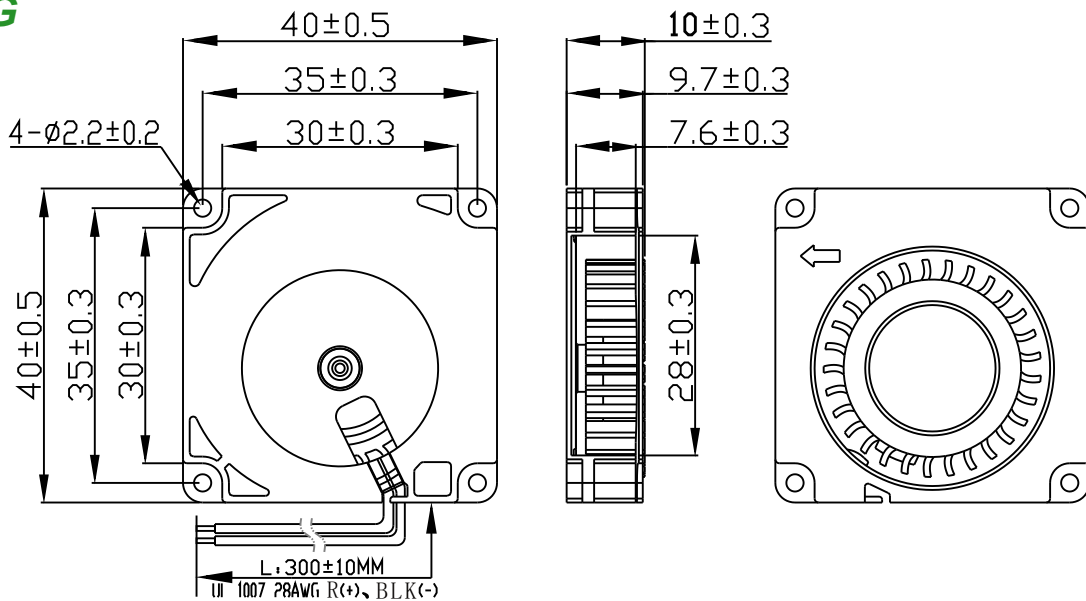


### SPECIFICATION

(L: Low -speed; M: Middle - speed; H: High -speed; U: Ultra high-speed; D: Ultra low-speed)

Voltage (VDC)	Model	Current	Power	Speed	Max air-flow		Max Pstatic	Noise
		A	W	RPM	CMH	CFM	mm-H <sub>2</sub> O	DbA
12	L	0.060	0.72	6000	2.82	1.66	4.3	25
	M	0.070	0.84	7000	3.91	2.30	5.7	27
	H	0.110	1.32	8000	4.52	2.66	8.3	35
24	L	0.035	0.84	6000	2.82	1.66	4.3	25
	M	0.040	0.96	7000	3.91	2.30	5.7	27
	H	0.050	1.20	8000	4.52	2.66	8.3	35

### DRAWING



### GENERAL DESCRIPTION

1. BEARING TYPE: BALL BEARING OR SLEEVE
2. IMPELLER AND SHELL MATERIAL: PBT / PC
3. MOTOR TYPE: BLDC
4. INSULATION GRADE: E
5. INSULATION RESISTANCE: 10M/500VDC
6. DIELECTRIC STRENGTH: 2MINIMUM/500AVC-5mA
7. AMBIENT HUMIDITY: RH20%-RH75%
8. STORAGE TEMPERATURE: -20°C ~ +75°C
9. WORKING TEMPERATURE: -10°C ~ +70°
10. SERVICE LIFE: 50000 HRS

### CUSTOMIZATION FUCTIONS

#### SPEED CONTROL

- ➔ PWM; Vsp; SOFT-START; CLOSED-LOOP; GAPCYCLE RUNNING

#### OUT SIGNAL

- ➔ FG; RD (EXCEED THE MIN. SPEED SETTINGS)

#### PROTECTION

- ➔ LOCKED; WATER-PROOF; DUSTY-PROOF