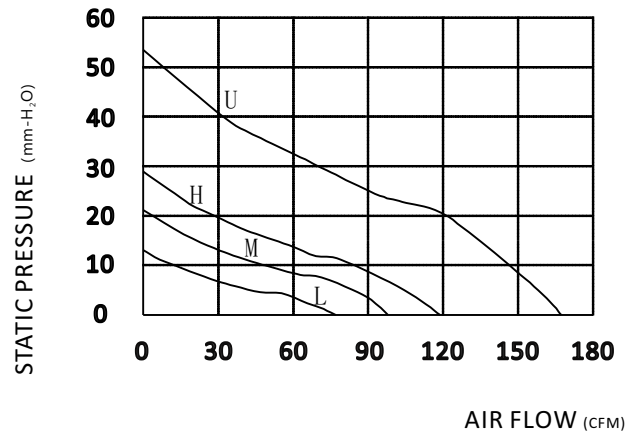


MODEL:RA-DC9238

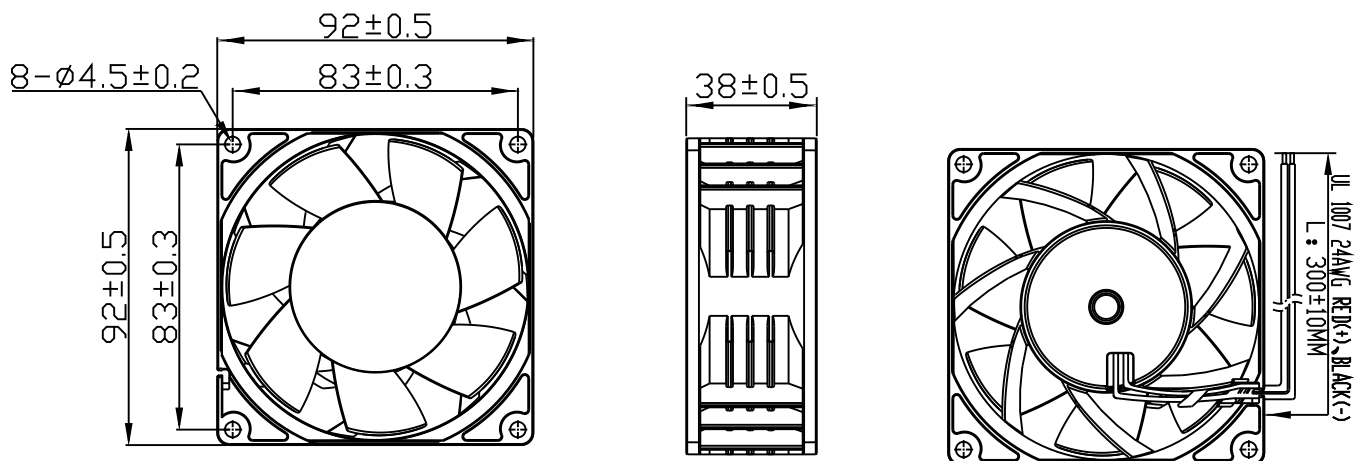


SPECIFICATION

(L: Low -speed; M: Middle - speed; H: High -speed; U: Ultra high-speed; D: Ultra low-speed)

Voltage (VDC)	Model	Current	Power	Speed	Max air-flow		Max Pstatic	Noise
		A	W	RPM	CMH	CFM	mm-H ₂ O	DbA
12	L	0.45	5.4	4500	130.65	76.90	13.00	48
	M	0.65	7.8	5500	166.16	97.80	21.10	54
	H	1.22	14.64	6500	201.84	118.80	28.95	59
24	L	0.22	5.28	4500	130.65	76.90	13.00	48
	M	0.35	8.4	5500	166.16	97.80	21.10	54
	H	0.60	14.4	6500	201.84	118.80	28.95	59
	U	1.50	36	9000	283.73	167.00	53.50	67
48	L	0.11	5.28	4500	130.65	76.90	13.00	48
	M	0.18	8.64	5500	166.16	97.80	21.10	54
	H	0.32	15.36	6500	201.84	118.80	28.95	59
	U	0.78	37.44	9000	283.73	167.00	53.50	67

DRAWING



GENERAL DESCRIPTION

1. BEARING TYPE: BALL BEARING OR SLEEVE
2. IMPELLER AND FRAM MATERIAL: PBT
3. MOTOR TYPE: BLDC
4. INSULATION GRADE: E
5. INSULATION RESISTANCE: 10M/500VDC
6. DIELECTRIC STRENGTH: 2MINIMUM/500AVC-5mA
7. AMBIENT HUMIDITY: RH20%-RH75%
8. STORAGE TEMPERATURE: -20°C ~ +75°C
9. WORKING TEMPERATURE: -10°C ~ +70°
10. SERVICE LIFE: 50000 HRS

CUSTOMIZATION FUCTIONS

SPEED CONTROL

- PWM; Vsp; SOFT-START; CLOSED-LOOP; GAPCYCLE RUNNING

OUT SIGNAL

- FG; RD (EXCEED THE MIN. SPEED SETTINGS)

PROTECTION

- LOCKED; WATER-PROOF; DUSTY-PROOF