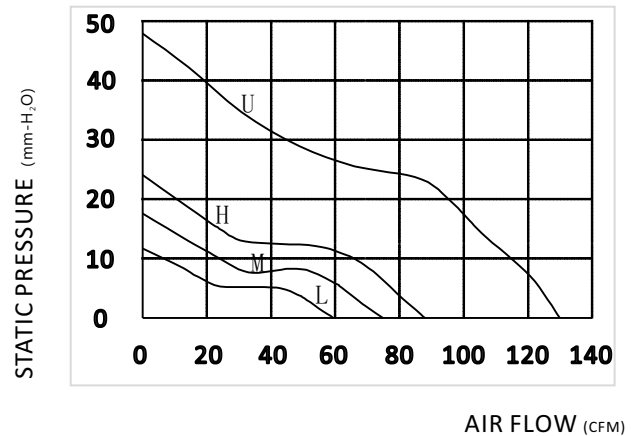


### MODEL:RA-DC8038



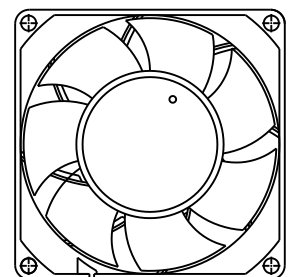
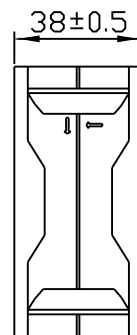
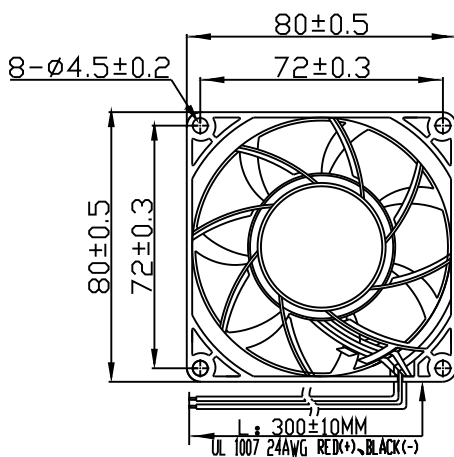
AIR FLOW (CFM)

## SPECIFICATION

(L: Low -speed; M: Middle - speed; H: High -speed; U: Ultra high-speed; D: Ultra low-speed)

Voltage (VDC)	Model	Current	Power	Speed	Max air-flow		Max Pstatic	Noise
		A	W	RPM	CMH	CFM	mm-H <sub>2</sub> O	DbA
12	L	0.35	4.20	4500	101.09	59.50	11.60	51
	M	0.68	8.16	5500	127.19	74.86	17.60	55
	H	1.00	12.00	6500	149.51	88.00	24.00	60
24	L	0.18	4.32	4500	101.09	59.50	11.60	51
	M	0.33	7.92	5500	127.19	74.86	17.60	55
	H	0.48	11.52	6500	149.51	88.00	24.00	60
	U	1.48	35.52	9000	220.53	129.80	47.80	68
48	L	0.10	4.80	4500	101.09	59.50	11.60	51
	M	0.18	8.64	5500	127.19	74.86	17.60	55
	H	0.26	12.48	6500	149.51	88.00	24.00	60
	U	0.76	36.48	9000	220.53	129.80	47.80	68

## DRAWING



## GENERAL DESCRIPTION

1. BEARING TYPE: BALL BEARING OR SLEEVE
2. IMPELLER AND FRAM MATERIAL: PBT
3. MOTOR TYPE: BLDC
4. INSULATION GRADE: E
5. INSULATION RESISTANCE: 10M/500VDC
6. DIELECTRIC STRENGTH: 2MINIMUM/500AVC-5mA
7. AMBIENT HUMIDITY: RH20%-RH75%
8. STORAGE TEMPERATURE: -20°C ~ +75°C
9. WORKING TEMPERATURE: -10°C ~ +70°C
10. SERVICE LIFE: 50000 HRS

## CUSTOMIZATION FUCTIONS

### SPEED CONTROL

- PWM; Vsp; SOFT-START; CLOSED-LOOP; GAPCYCLE RUNNING

### OUT SIGNAL

- FG; RD (EXCEED THE MIN. SPEED SETTINGS)

### PROTECTION

- LOCKED; WATER-PROOF; DUSTY-PROOF