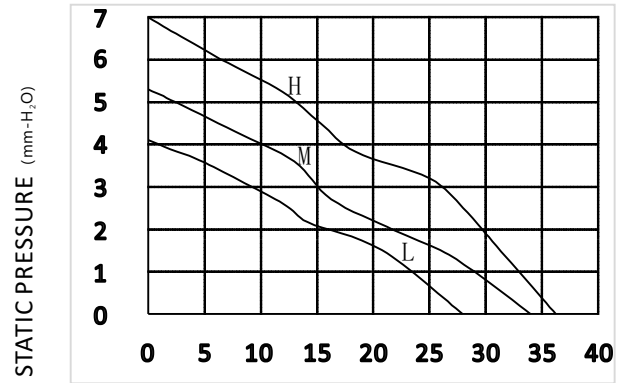


### MODEL:RA-DC7025



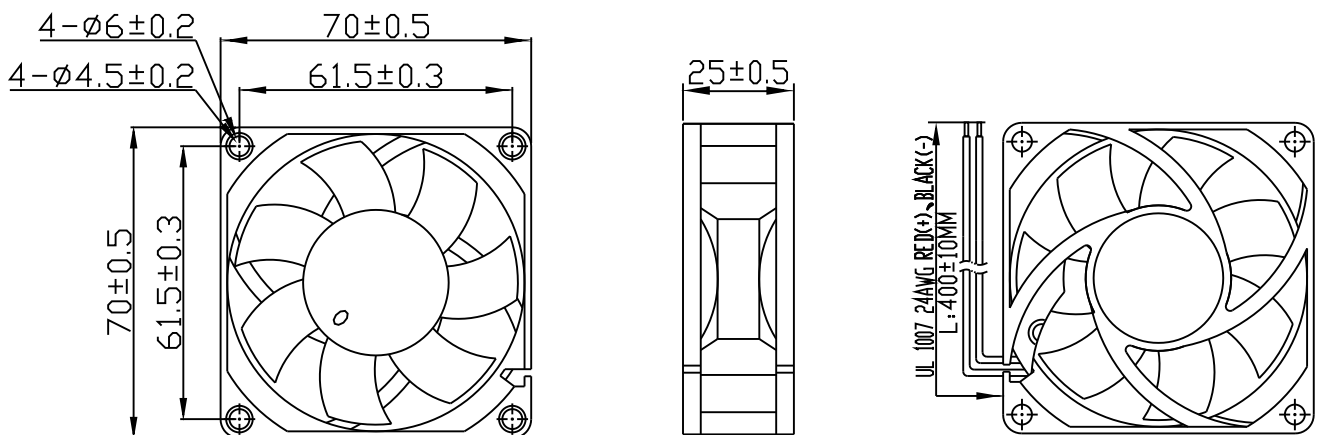
AIR FLOW (CFM)

## SPECIFICATION

(L: Low -speed; M: Middle - speed; H: High -speed; U: Ultra high-speed; D: Ultra low-speed)

Voltage (VDC)	Model	Current	Power	Speed	Max air-flow		Max Pstatic	Noise
		A	W	RPM	CMH	CFM	mm-H <sub>2</sub> O	DbA
12	L	0.22	2.64	3500	47.47	27.94	4.10	37
	M	0.28	3.36	4000	57.77	34.00	5.30	41
	H	0.39	4.68	4500	61.50	36.20	7.00	44
24	L	0.14	3.36	3500	47.47	27.94	4.10	37
	M	0.20	4.8	4000	57.77	34.00	5.30	41
	H	0.27	6.48	4500	61.50	36.20	7.00	44

## DRAWING



## GENERAL DESCRIPTION

1. BEARING TYPE: BALL BEARING OR SLEEVE
2. IMPELLER AND FRAM MATERIAL: PBT
3. MOTOR TYPE: BLDC
4. INSULATION GRADE: E
5. INSULATION RESISTANCE: 10M/500VDC
6. DIELECTRIC STRENGTH: 2MINIMUM/500AVC-5mA
7. AMBIENT HUMIDITY: RH20%-RH75%
8. STORAGE TEMPERATURE: -20°C ~ +75°C
9. WORKING TEMPERATURE: -10°C ~ +70°
10. SERVICE LIFE: 50000 HRS

## CUSTOMIZATION FUCTIONS

➤ PWM; Vsp; SOFT-START; CLOSED-LOOP; GAPCYCLE RUNNING

### OUT SIGNAL

➤ FG; RD (EXCEED THE MIN. SPEED SETTINGS)

### PROTECTION

➤ LOCKED; WATER-PROOF; DUSTY-PROOF