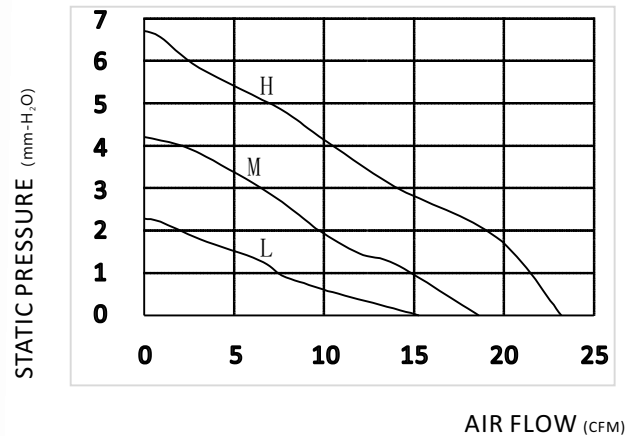


MODEL:RA-DC6025

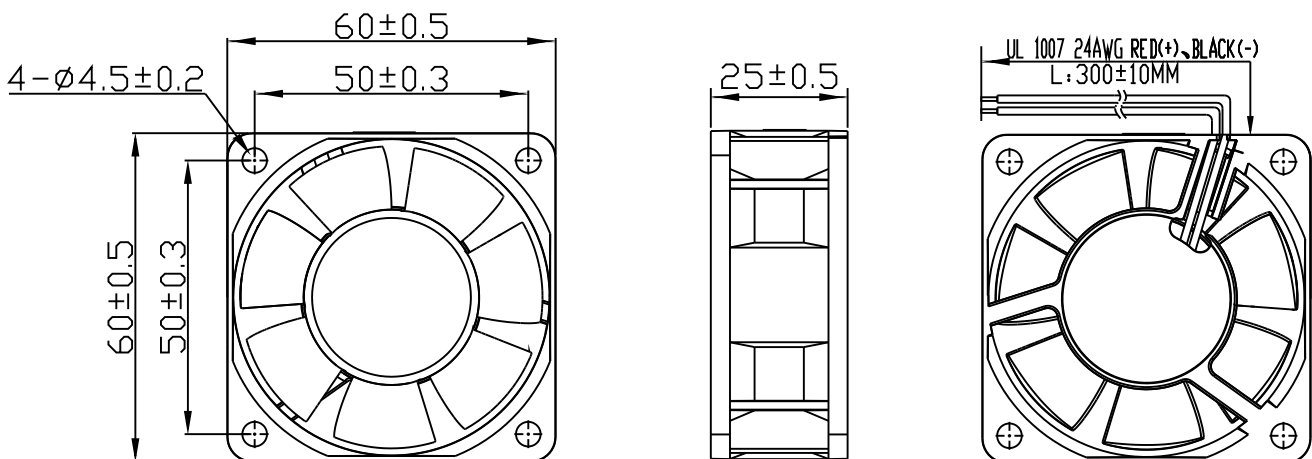


SPECIFICATION

(L: Low -speed; M: Middle - speed; H: High -speed; U: Ultra high-speed; D: Ultra low-speed)

Voltage (VDC)	Model	Current	Power	Speed	Max air-flow		Max Pstatic	Noise
		A	W	RPM	CMH	CFM	mm-H ₂ O	DbA
12	L	0.08	0.96	3000	25.94	15.27	2.28	24
	M	0.11	1.32	4000	31.60	18.60	4.20	32
	H	0.20	2.4	5000	39.42	23.20	6.70	40
24	L	0.06	1.44	3000	25.94	15.27	2.28	24
	M	0.10	2.4	4000	31.60	18.60	4.20	32
	H	0.16	3.84	5000	39.42	23.20	6.70	40

DRAWING



GENERAL DESCRIPTION

1. BEARING TYPE: BALL BEARING OR SLEEVE
2. IMPELLER AND FRAM MATERIAL: PBT
3. MOTOR TYPE: BLDC
4. INSULATION GRADE: E
5. INSULATION RESISTANCE: 10M/500VDC
6. DIELECTRIC STRENGTH: 2MINIMUM/500AVC-5mA
7. AMBIENT HUMIDITY: RH20%-RH75%
8. STORAGE TEMPERATURE: -20°C ~ +75°C
9. WORKING TEMPERATURE: -10°C ~ +70°C
10. SERVICE LIFE: 50000 HRS

CUSTOMIZATION FUCTIONS

➤ PWM; Vsp; SOFT-START; CLOSED-LOOP; GAPCYCLE RUNNING

OUT SIGNAL

➤ FG; RD (EXCEED THE MIN. SPEED SETTINGS)

PROTECTION

➤ LOCKED; WATER-PROOF; DUSTY-PROOF