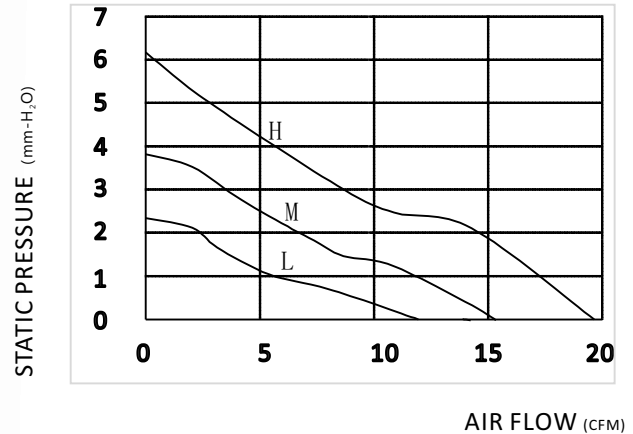


MODEL:RA-DC6020

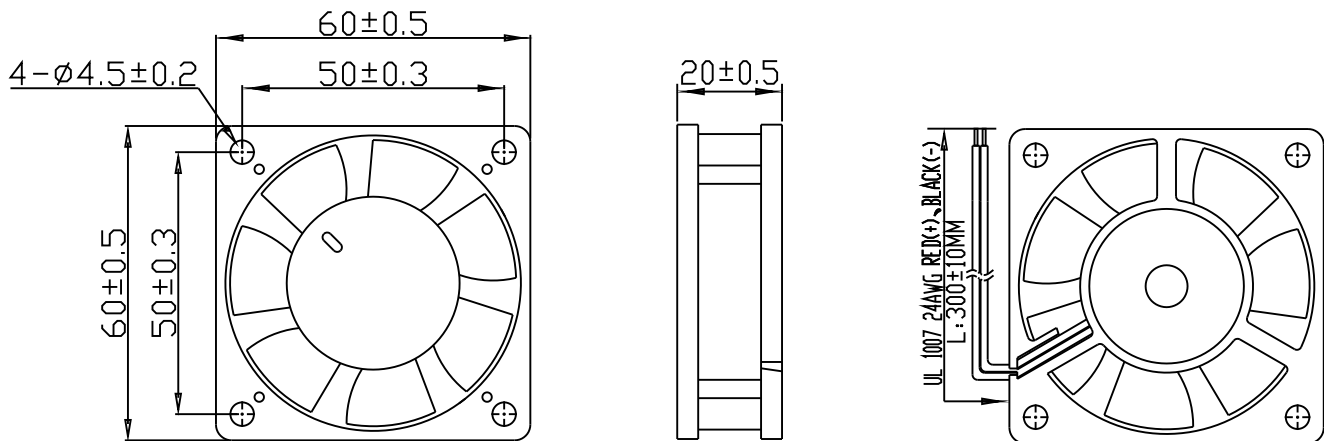


SPECIFICATION

(L: Low -speed; M: Middle - speed; H: High -speed; U: Ultra high-speed; D: Ultra low-speed)

Voltage (VDC)	Model	Current	Power	Speed	Max air-flow		Max Pstatic	Noise
		A	W	RPM	CMH	CFM	mm-H ₂ O	DbA
12	L	0.07	0.84	3000	20.27	11.93	2.33	24
	M	0.10	1.20	4000	23.60	13.89	3.81	32
	H	0.17	2.04	5000	33.39	19.65	6.16	38
24	L	0.05	1.20	3000	20.27	11.93	2.33	24
	M	0.08	1.92	4000	23.60	13.89	3.81	32
	H	0.13	3.12	5000	33.39	19.65	6.16	38

DRAWING



GENERAL DESCRIPTION

1. BEARING TYPE: BALL BEARING OR SLEEVE
2. IMPELLER AND FRAM MATERIAL: PBT
3. MOTOR TYPE: BLDC
4. INSULATION GRADE: E
5. INSULATION RESISTANCE: 10M/500VDC
6. DIELECTRIC STRENGTH: 2MINIMUM/500AVC-5mA
7. AMBIENT HUMIDITY: RH20%-RH75%
8. STORAGE TEMPERATURE: -20°C ~ +75°C
9. WORKING TEMPERATURE: -10°C ~ +70°
10. SERVICE LIFE: 50000 HRS

CUSTOMIZATION FUCTIONS

➤ PWM; Vsp; SOFT-START; CLOSED-LOOP; GAPCYCLE RUNNING

OUT SIGNAL

➤ FG; RD (EXCEED THE MIN. SPEED SETTINGS)

PROTECTION

➤ LOCKED; WATER-PROOF; DUSTY-PROOF