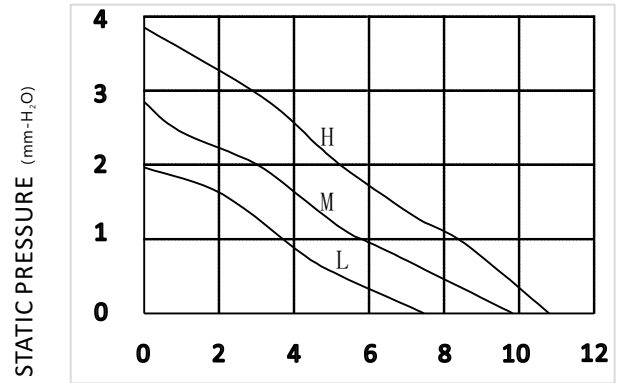


MODEL:RA-DC5010



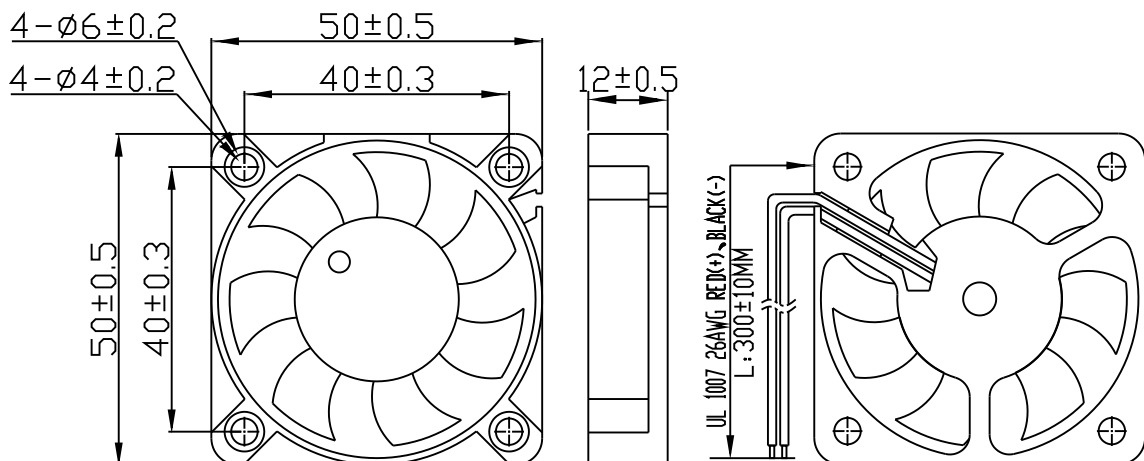
AIR FLOW (CFM)

SPECIFICATION

(L: Low -speed; M: Middle - speed; H: High-speed; U: Ultra high-speed; D: Ultra low-speed)

Voltage (VDC)	Model	Current	Power	Speed	Max air-flow		Max Pstatic	Noise
		A	W	RPM	CMH	CFM	mm-H ₂ O	DbA
5	L	0.14	0.70	4500	12.67	7.46	1.96	30
	M	0.20	1.00	5500	16.70	9.83	2.84	34
12	L	0.08	0.96	4500	12.67	7.46	1.96	30
	M	0.10	1.20	5500	16.70	9.83	2.84	34
	H	0.16	1.92	6500	18.35	10.80	3.84	38
24	L	0.05	1.20	4500	12.67	7.46	1.96	30
	M	0.06	1.44	5500	16.70	9.83	2.84	34
	H	0.09	2.16	6500	18.35	10.80	3.84	38

DRAWING



GENERAL DESCRIPTION

1. BEARING TYPE: BALL BEARING OR SLEEVE
2. IMPELLER AND FRAM MATERIAL: PBT
3. MOTOR TYPE: BLDC
4. INSULATION GRADE: E
5. INSULATION RESISTANCE: 10M/500VDC
6. DIELECTRIC STRENGTH: 2MINIMUM/500AVC-5mA
7. AMBIENT HUMIDITY: RH20%-RH75%
8. STORAGE TEMPERATURE: -20°C ~ +75°C
9. WORKING TEMPERATURE: -10°C ~ +70°C
10. SERVICE LIFE: 50000 HRS

CUSTOMIZATION FUCTIONS

SPEED CONTROL

- PWM; Vsp; SOFT-START; CLOSED-LOOP; GAPCYCLE RUNNING

OUT SIGNAL

- FG; RD (EXCEED THE MIN. SPEED SETTINGS)

PROTECTION

- LOCKED; WATER-PROOF; DUSTY-PROOF