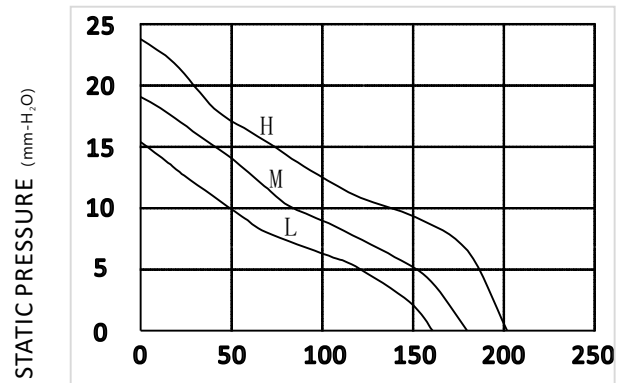


### MODEL:RA-DC12038A



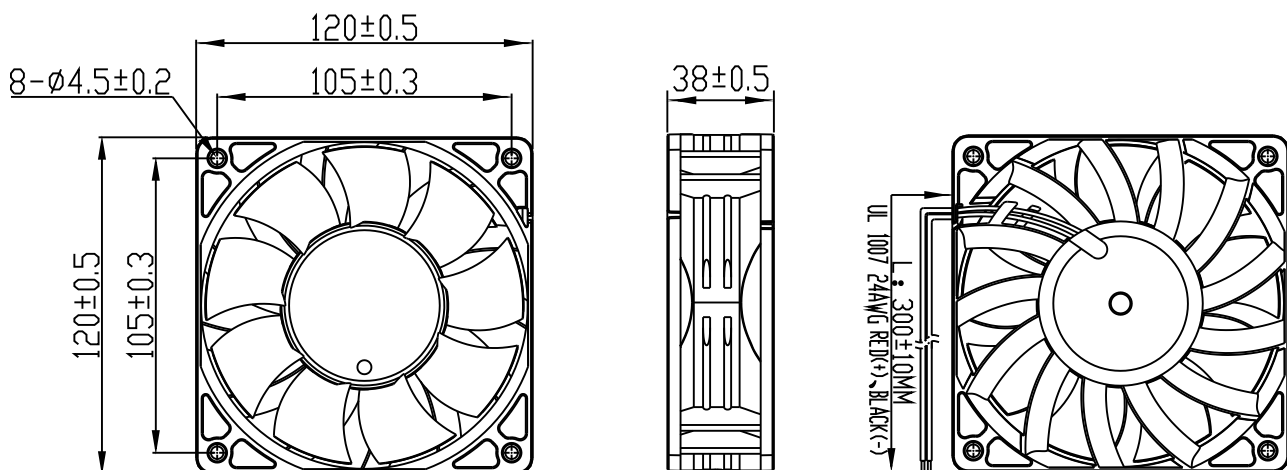
AIR FLOW (CFM)

## SPECIFICATION

(L: Low -speed; M: Middle - speed; H: High -speed; U: Ultra high-speed; D: Ultra low-speed)

| Voltage (VDC) | Model | Current | Power | Speed | Max air-flow |        | Max Pstatic         | Noise |
|---------------|-------|---------|-------|-------|--------------|--------|---------------------|-------|
|               |       | A       | W     | RPM   | CMH          | CFM    | mm-H <sub>2</sub> O | DbA   |
| 12            | L     | 0.93    | 11.16 | 3500  | 271.84       | 160.00 | 15.40               | 57    |
|               | M     | 1.47    | 17.64 | 4000  | 304.12       | 179.00 | 19.00               | 59    |
|               | H     | 2.25    | 27.00 | 4500  | 341.50       | 201.00 | 23.77               | 64    |
| 24            | L     | 0.50    | 12.00 | 3500  | 271.84       | 160.00 | 15.40               | 57    |
|               | M     | 0.73    | 17.52 | 4000  | 304.12       | 179.00 | 19.00               | 59    |
|               | H     | 1.28    | 30.72 | 4500  | 341.50       | 201.00 | 23.77               | 64    |
| 48            | L     | 0.29    | 13.92 | 3500  | 271.84       | 160.00 | 15.40               | 57    |
|               | M     | 0.44    | 21.12 | 4000  | 304.12       | 179.00 | 19.00               | 59    |
|               | H     | 0.67    | 32.16 | 4500  | 341.50       | 201.00 | 23.77               | 64    |

## DRAWING



## GENERAL DESCRIPTION

1. BEARING TYPE: BALL BEARING OR SLEEVE
2. IMPELLER AND FRAM MATERIAL: PBT
3. MOTOR TYPE: BLDC
4. INSULATION GRADE: E
5. INSULATION RESISTANCE: 10M/500VDC
6. DIELECTRIC STRENGTH: 2MINIMUM/500AVC-5mA
7. AMBIENT HUMIDITY: RH20%-RH75%
8. STORAGE TEMPERATURE: -20°C ~ +75°C
9. WORKING TEMPERATURE: -10°C ~ +70°C
10. SERVICE LIFE: 50000 HRS

## CUSTOMIZATION FUCTIONS

### SPEED CONTROL

- ▶ PWM; Vsp; SOFT-START; CLOSED-LOOP; GAPCYCLE RUNNING

### OUT SIGNAL

- ▶ FG; RD (EXCEED THE MIN. SPEED SETTINGS)

### PROTECTION

- ▶ LOCKED; WATER-PROOF; DUSTY-PROOF