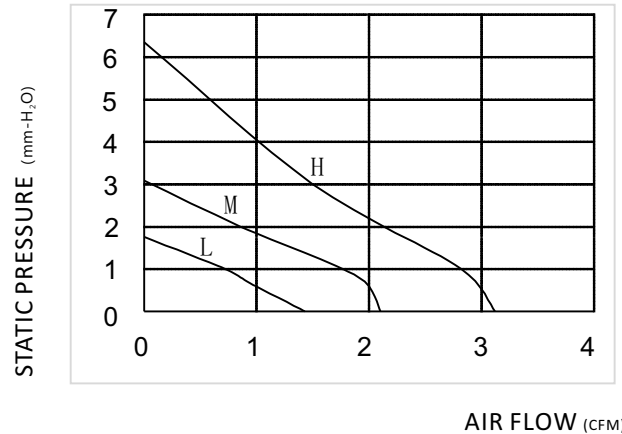


### MODEL:RA-DC2510

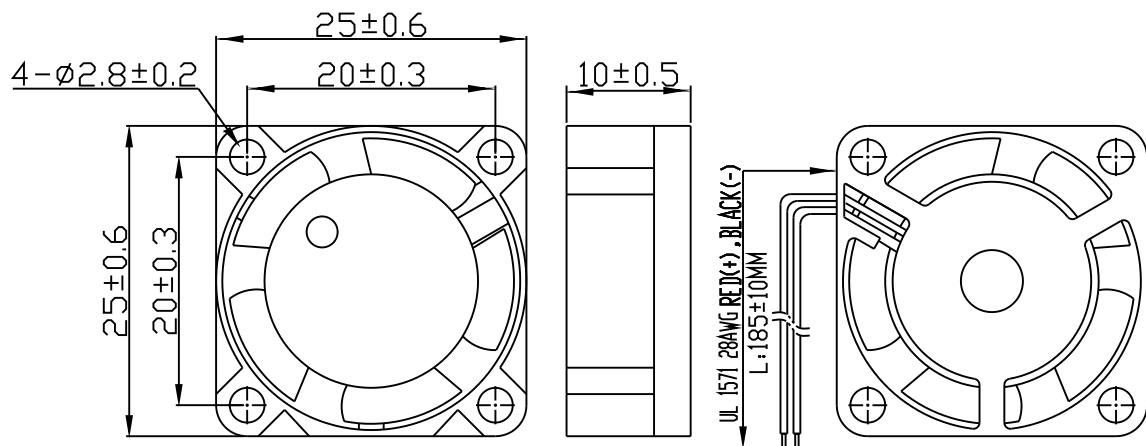


## SPECIFICATION

(L: Low -speed; M: Middle - speed; H: High -speed; U: Ultra high-speed; D: Ultra low-speed)

Voltage (VDC)	Model	Current	Power	Speed	Max air-flow		Max Pstatic	Noise
		A	W	RPM	CMH	CFM	mm-H <sub>2</sub> O	DbA
5	L	0.03	0.15	6000	0.76	0.45	0.8	10.5
	M	0.06	0.30	10000	1.19	0.70	2.0	19.0
	H	0.09	0.45	15000	1.78	1.05	3.8	28.0
12	L	0.03	0.36	6000	0.76	0.45	0.8	10.5
	M	0.04	0.48	10000	1.19	0.70	2.0	19.0
	H	0.05	0.60	15000	1.78	1.05	3.8	28.0

## DRAWING



## GENERAL DESCRIPTION

1. BEARING TYPE: BALL BEARING OR SLEEVE
2. IMPELLER AND FRAM MATERIAL: PBT
3. MOTOR TYPE: BLDC
4. INSULATION GRADE: E
5. INSULATION RESISTANCE: 10M/500VDC
6. DIELECTRIC STRENGTH: 2MINIMUM/500AVC-5mA
7. AMBIENT HUMIDITY: RH20%-RH75%
8. STORAGE TEMPERATURE: -20°C ~ +75°C
9. WORKING TEMPERATURE: -10°C ~ +70°C
10. SERVICE LIFE: 50000 HRS

## CUSTOMIZATION FUCTIONS

### SPEED CONTROL

- PWM; Vsp; SOFT-START; CLOSED-LOOP; GAPCYCLE RUNNING

### OUT SIGNAL

- FG; RD (EXCEED THE MIN. SPEED SETTINGS)

### PROTECTION

- LOCKED; WATER-PROOF; DUSTY-PROOF