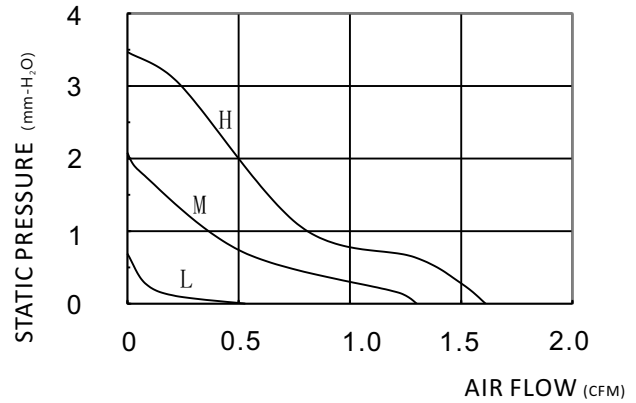


MODEL:RA-DC2006

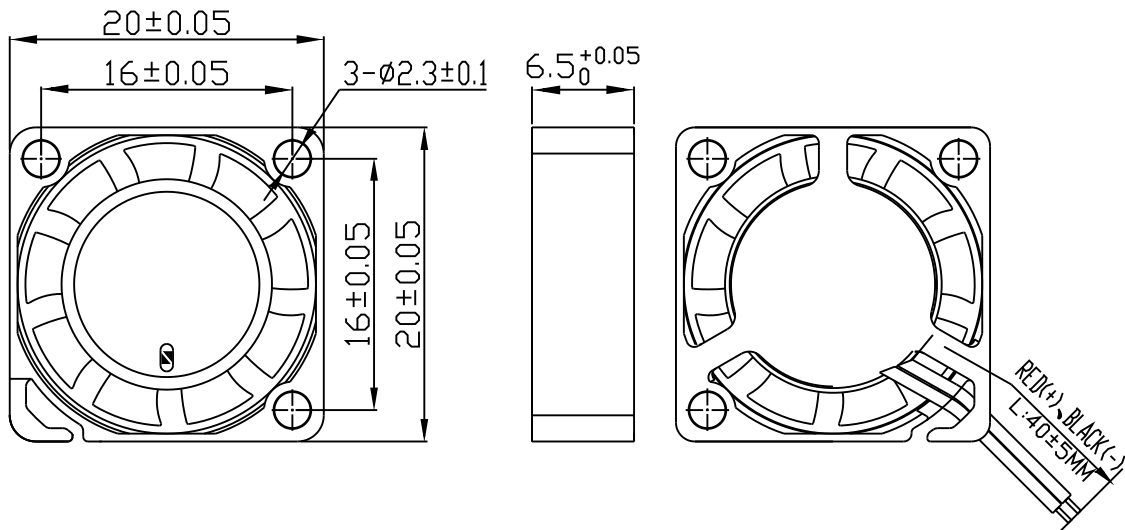


SPECIFICATION

(L: Low -speed; M: Middle - speed; H: High -speed; U: Ultra high-speed; D: Ultra low-speed)

Voltage (VDC)	Model	Current	Power	Speed	Max air-flow		Max Pstatic	Noise
		A	W	RPM	CMH	CFM	mm-H ₂ O	DbA
5	L	0.03	0.15	6000	0.90	0.53	0.70	19
	M	0.06	0.30	10000	2.20	1.30	2.08	24
	H	0.09	0.45	13000	2.74	1.61	3.47	31
12	L	0.03	0.36	6000	0.90	0.53	0.70	19
	M	0.04	0.48	10000	2.20	1.30	2.08	24
	H	0.05	0.60	13000	2.74	1.61	3.47	31

DRAWING



GENERAL DESCRIPTION

- 1.BEARING TYPE: BALL BEARING OR SLEEVE
- 2.IMPELLER AND FRAM MATERIAL: PBT
- 3.MOTOR TYPE: BLDC
- 4.INSULATION GRADE: E
- 5.INSULATION RESISTANCE: 10M/500VDC
- 6.DIELECTRIC STRENGTH: 2MINIMUM/500AVC-5mA
- 7.AMBIENT HUMIDITY: RH20%-RH75%
- 8.STORAGE TEMPERATURE: -20°C ~ +75°C
- 9.WORKING TEMPERATURE:-10°C ~ +70°
- 10.SERVICE LIFE:50000 HRS

CUSTOMIZATION FUCTIONS

SPEED CONTROL

- PWM; Vsp; SOFT-START; CLOSED-LOOP; GAPCYCLE RUNNING

OUT SIGNAL

- FG; RD (EXCEED THE MIN. SPEED SETTINGS)

PROTECTION

- LOCKED; WATER-PROOF;DUSTY-PROOF