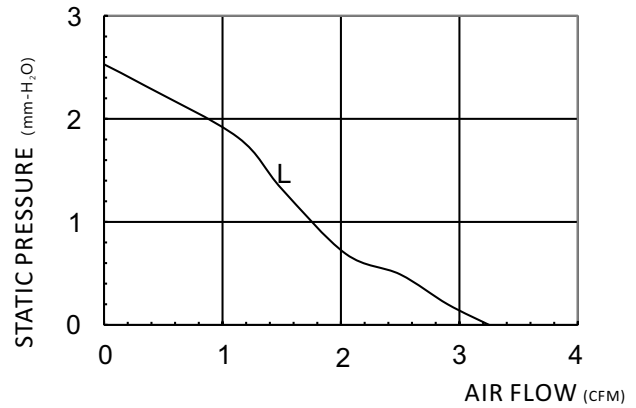


### MODEL:RA-DC3007

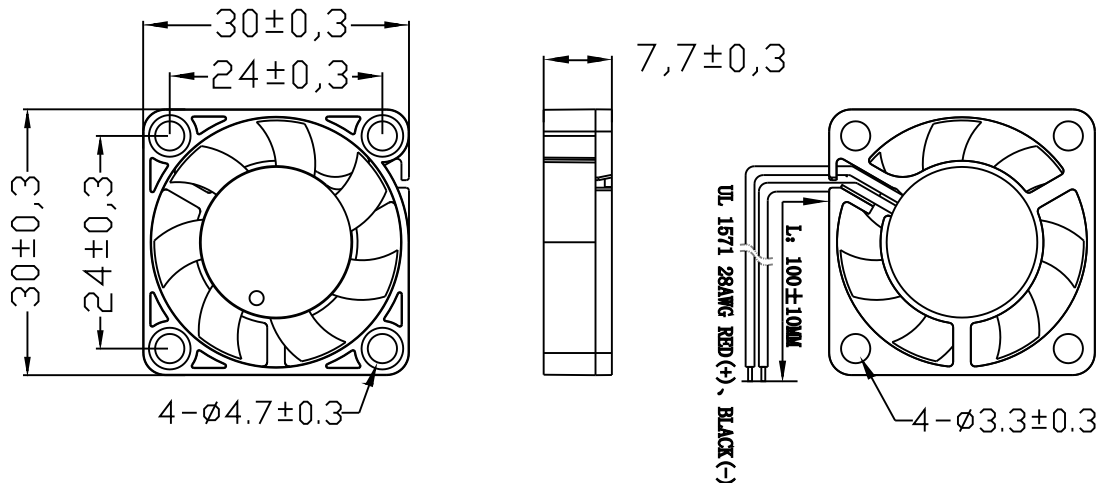


### SPECIFICATION

(L: Low -speed; M: Middle - speed; H: High -speed; U: Ultra high-speed; D: Ultra low-speed)

Voltage (VDC)	Model	Current	Power	Speed	Max air-flow		Max Pstatic	Noise
		A	W	RPM	CMH	CFM	mm-H <sub>2</sub> O	DbA
5	L	0.10	0.50	8500	5.48	3.23	2.53	31.9
	M	0.15	0.75	10000	6.46	3.80	5.05	33.5
	H	0.20	1.00	13000	8.40	4.94	5.92	36.0
12	L	0.05	0.50	8500	5.48	3.23	2.53	31.9
	M	0.06	0.75	10000	6.46	3.80	5.05	33.5
	H	0.08	1.00	13000	8.40	4.94	5.92	36.0

### DRAWING



### GENERAL DESCRIPTION

1. BEARING TYPE: BALL BEARING OR SLEEVE
2. IMPELLER AND FRAM MATERIAL: PBT
3. MOTOR TYPE: BLDC
4. INSULATION GRADE: E
5. INSULATION RESISTANCE: 10M/500VDC
6. DIELECTRIC STRENGTH: 2MINIMUM/500AVC-5mA
7. AMBIENT HUMIDITY: RH20%-RH75%
8. STORAGE TEMPERATURE: -20°C ~ +75°C
9. WORKING TEMPERATURE: -10°C ~ +70°
10. SERVICE LIFE: 50000 HRS

### CUSTOMIZATION FUCTIONS

#### SPEED CONTROL

- PWM; Vsp; SOFT-START; CLOSED-LOOP; GAPCYCLE RUNNING

#### OUT SIGNAL

- FG; RD (EXCEED THE MIN. SPEED SETTINGS)

#### PROTECTION

- LOCKED; WATER-PROOF; DUSTY-PROOF